

**GARDINER TECHNOLOGY**

**Gardtec**

**370 581/582**

**User Instructions**

# Contents

Introduction	1
Keypads	1
User Levels and Options	1
Master Code Flow Chart	3
Setting and Unsetting the System	4
Removing Zones and Setting the System	5
Testing the System	6
Viewing the Log	7
Setting the Chime On/Off	8
Changing Codes	9
Resetting after an Alarm	10
Display Messages	
System	11
Status	11
Log	12
Glossary of Terms	13

**RESET**

If programmed by the engineer allows the system to be reset after an alarm.

**REMOVE**

Set the system with one or more zones (selected by the Master user) removed.

**TEST**

Allows the system to be tested (zones and bells/strobe)

**LOG**

Allows the Log to be read. The Log holds a record of operations/activations of the system

**CHIME**

Allows the Chime function for one or more zones (pre-programmed by engineer) to be turned On or Off.

**USER CODES**

Allows the Master code and User codes to be programmed.

**All User codes are programmed by use of the Master code. Once programmed User level codes may only access the following options:-**

**SET**

This option allows the system to be Fully Set.

**UNSET**

This option allows the system to be Unset.

**PART SET**

This option allows the system to be:-

- |            |  |
|------------|--|
| Part Set 1 | Set with a suite of zones (pre-programmed by engineer) removed.        |
| Part Set 2 | Set with a second suite of zones (pre-programmed by engineer) removed. |
| Part Set 3 | Set with both Part 1 and Part 2 zone suites removed.                   |

**RESET**

If programmed by the engineer allows the system to be reset after an alarm.

**Each of the above functions will be dealt with in its own section.**

## Setting and Unsetting the System

With the system Unset (display showing 'Un') enter a Master code and screen will flash



**OR**

With system Unset enter code other than Master (eg User code) & system will start to Set then:-

**Whilst the system is setting.**

**Press 1 to Part 1 Set the system.**

**Press 2 to Part 2 Set the system.**

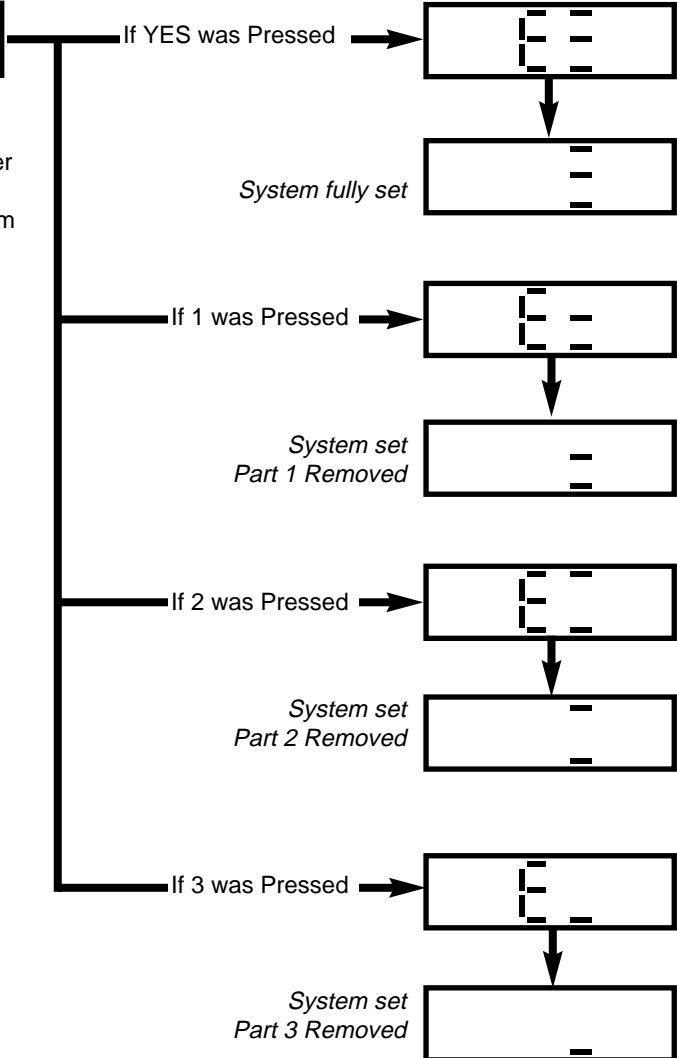
**Press 3 to Part 3 Set the system.**

**To Unset the system enter premises via authorised route and enter code.**

**Note:**

**When the system starts to set a short delay will be noticed before the exit sounder is activated. This delay allows lower levels of codes to silent part set the system without the exit sounder operating.**

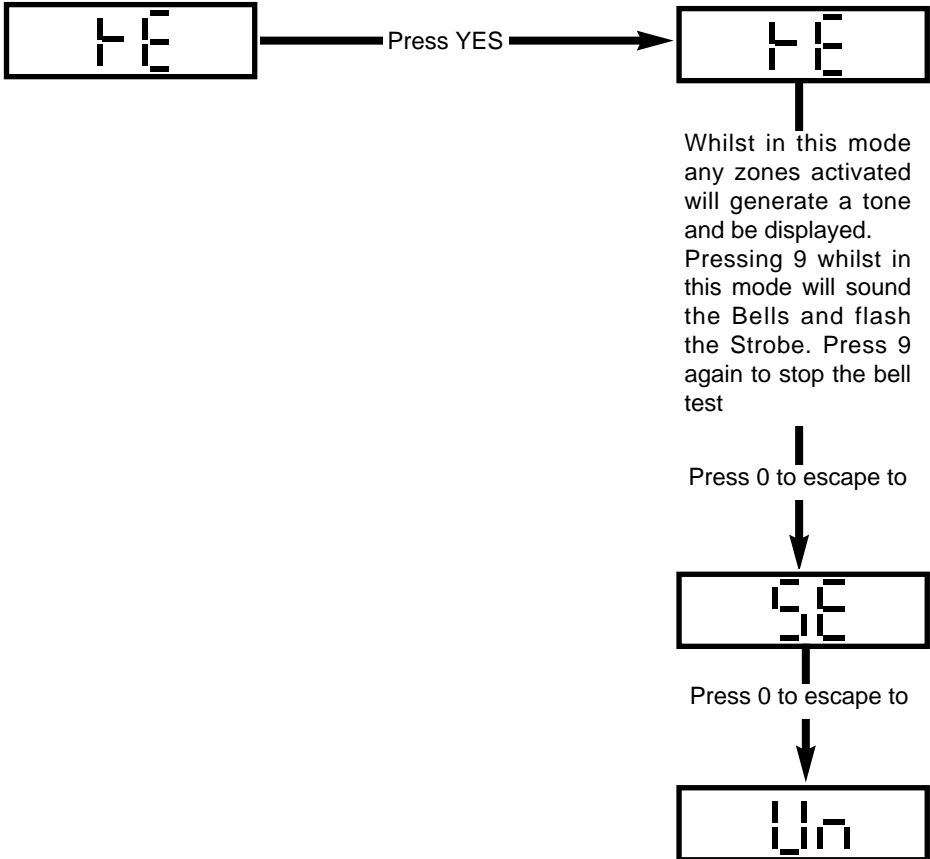
**To abort setting during exit Re-enter code.**



## Testing the System

---

With the system Unset  
 Enter **Master Code** and press  
 NO until screen flashes:-

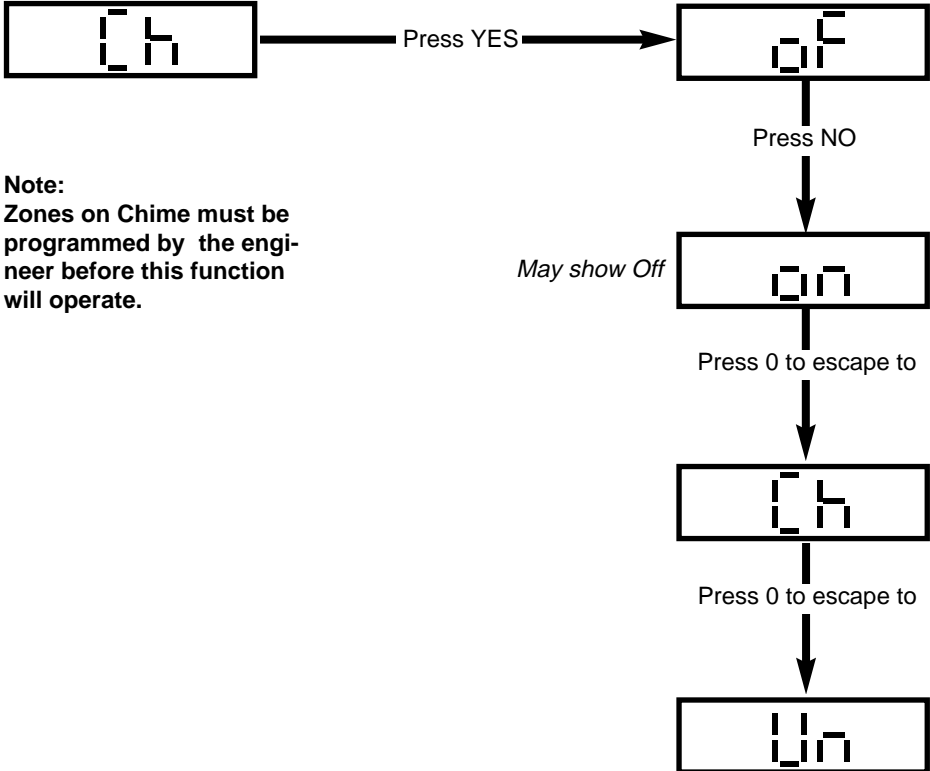


## Setting Chime On/Off

With system Unset

Enter **Master Code** and press

NO until screen flashes.



**Note:**

**Zones on Chime must be programmed by the engineer before this function will operate.**

## Resetting After an Alarm

---

One of four reset modes may have been programmed by your engineer.

### **Any Code**

The system will reset the next time Any Code is used to set the system.

### **Master Code**

The system will only reset if the Master Code or Engineer code is used to set the system.

### **Engineer Code**

The system will only reset if the Engineer Code is used to set the system.

### **Anti-Code**

The system may only be reset by use of an Anti-Code obtained from your engineer or central station.

### **To Reset System:-**

Enter Code of correct type (see above).

Proceed to set the system.

If a set is not required re-enter the code to abort setting.

### **To Reset by Anti-Code:-**

Make a note of the digit code given by the display when you try to set the system.

Contact your engineer or central station as instructed by the installation company and give them the four digit number given by the display.

The resulting Anti-Code given by them is then entered into the Control Panel to reset it.

**Note: This resulting code may also use the YES and NO keys.**

## Display Messages (Log)

---

Apart from the System and Status displays the following messages may also appear whilst viewing the Log.

'S ≡'	System Full Set	
'S ='	System Part 1 Set	
'S ▬'	System Part 2 Set	
'S _'	System Part 3 Set	
' o1 '	Unset User 1	
' o2 '	Unset User 2	
' o3 '	Unset User 3	
' o4 '	Unset User 4	
' o5 '	Unset User 5	
' o6 '	Unset User 6	
' o7 '	Unset User 7	
' o8 '	Unset User 8	
' o9 '	Unset User 9	
' o0 '	Unset User 0 (Engineer)	<i>The system may only be unset by the engineer code if it was previously set by the engineer code.</i>
' AL '	Alarm has occurred	
'(1-7) ' (flashing)	Zone (1-7) was removed	
' rE '	Electronic watchdog reset (engineer message).	